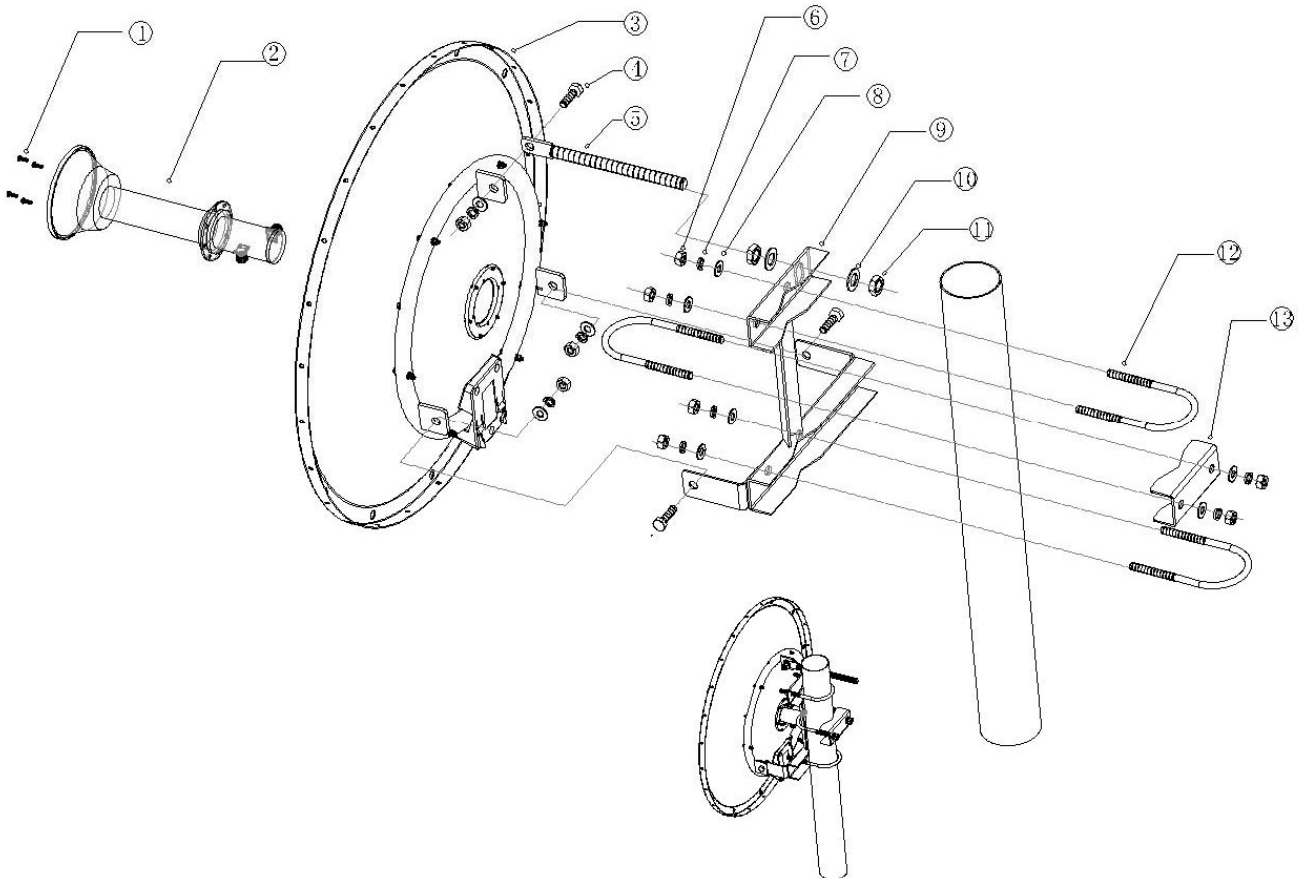


5GHz Mimo Dish Antenna

Specifications

Model	ANT4958D29P-DP
Frequency Range	4950-5850 MHz
Bandwidth	900 MHz
Gain	2x29dBi
Horizontal Beamwidth	5°
Vertical Beamwidth	5°
F/B Ratio	>35 dB
Isolation	>28dB
V.S.W.R	≤1.5Type;Max 2.0
Nominal Impedance	50 Ω
Polarization	Vertical and Horizontal
Max. Power	100 W
Connector	2-N Female
Diameter	φ0.6 m
Weight	5 kg



Foshan Lanbowan Communications Ltd.

TEL: +86 757 66627636

FAX: +86 757 82621650

Http://www.lanbowan.com

Email: info@lanbowan.com

The Lanbowan policy of continuing development may result in improvement or change to this product.